

ASSEMBLY MANUAL

USS ENTERPRISE BRIDGE

1:50 Scale model design by Ron Caudillo (ronalcaudillo@yahoo.com)

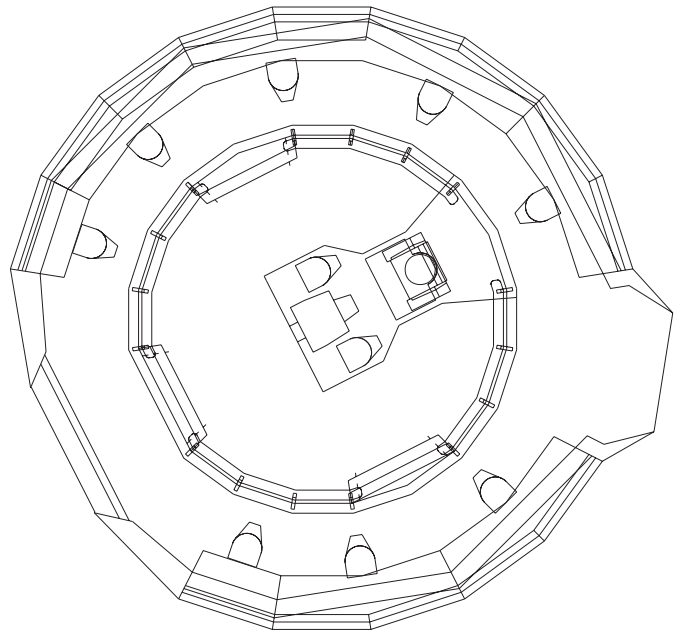
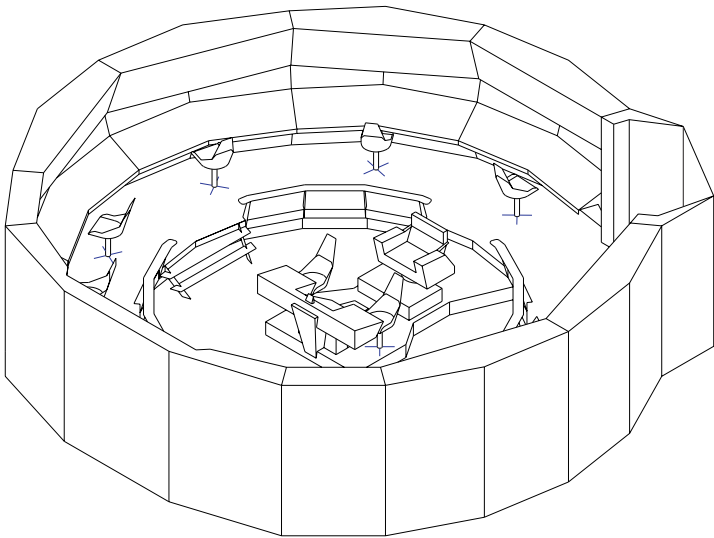


GENERAL INSTRUCTIONS: Print out on either 8.5 x 11 inch or A4 paper. All printout finished images should measure 7.5 inches x 10 inches (190.5 x 254 mm). Pre-crease all of the fold lines of the parts with a blunt tool before cutting them out. Use sharp pointed scissors and a hobby knife to cut out the parts. Cut out only the parts required for each step to avoid losing or damaging them. Follow each step in sequence. **TEST FIT EACH PART BEFORE GLUING** and use glue sparingly.

There are additional "Main Viewer" displays available to allow you to customize your model by using a scene from your favorite episode in the model.

This model is inspired by the blueprints drawn by Michael McMaster.

Special thanks to Alan Anderton (Kirok of L'Stok) for his invaluable assistance in locating reference material. Visit his website at: <http://trektoday.blogspot.com/>



No copyright infringement is intended.
This model and it's assembly manual is intended to be freely distributed and enjoyed by modelers and fans of Star Trek.

Approximate Model Dimensions

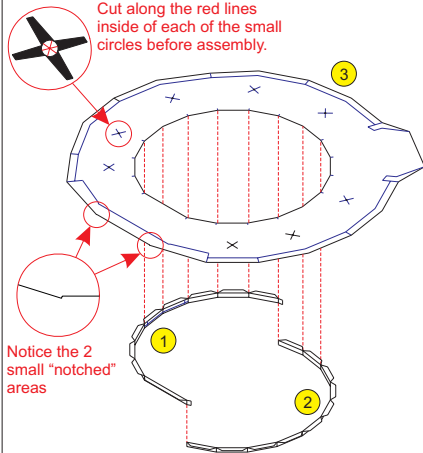
Overall Diameter: 7.50 inches (19.05 cm)

Overall Height: 2.00 inches (5.08 cm)

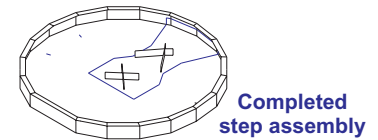
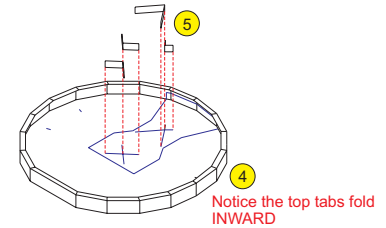
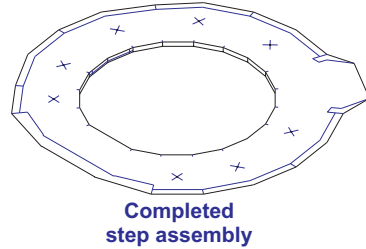
USS ENTERPRISE BRIDGE (NCC-1701)

1:50 Scale model design by Ron Caudillo (ronaldcaudillo@yahoo.com)

Special thanks to Alan Anderton (Kirok of L'Stok) for his invaluable assistance in locating reference material. Visit his website at: <http://trektoday.blogspot.com/>



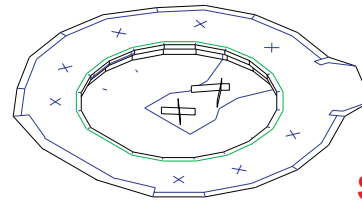
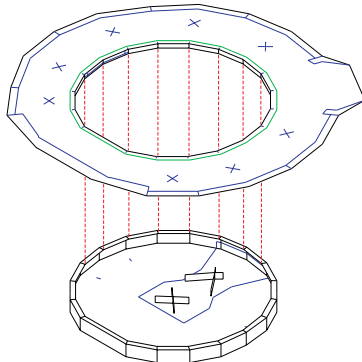
Deck Sub-Assembly



Step 1 RAISED DECK. Cut out the sides of the Raised Deck (parts 1 and 2), and the Raised Deck (part 3). Notice that you must use a knife to cut along each of the red lines in all of the 8 small circles of part 3. Also notice that along the edge of the main viewer area indicated you must cut and follow the line to create a "notched" appearance. Form part 1 and glue in place under the part 3. Form part 2 and glue into place joining to the edges of part 1 and under part 3.

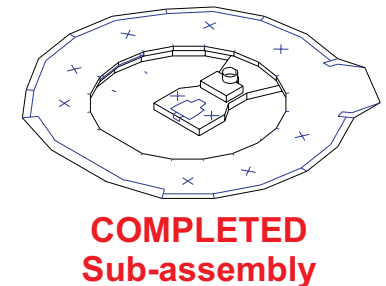
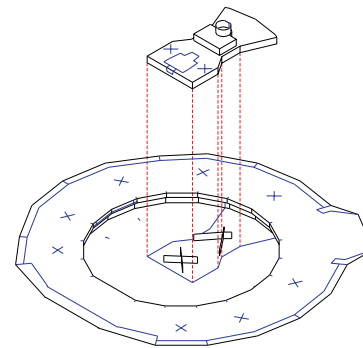
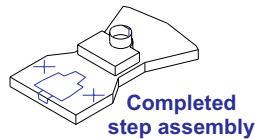
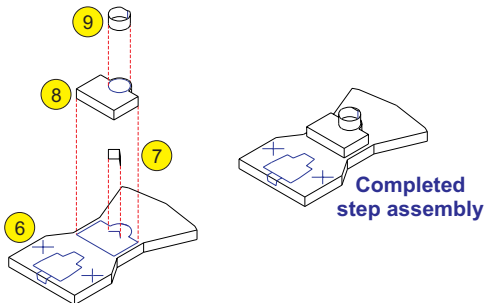
Step 2 SUNKEN DECK: Cut out, form and glue up the sides of the Sunken Deck (part 4). Cut out each of the four Pedestal Supports (part 5) and fold them in the middle along the red lines. Glue them in place on the Sunken Deck.

Note that the top tabs of the sides fold INWARD.



Step 3 BRIDGE DECK: Test fit the Sunken Deck sub-assembly to the Raised Deck sub-assembly to see how they fit together. Note that the inner edges of the Sunken Deck top tabs will just fit inside of parts 1 and 2 of the Raised Deck. The GREEN lines in the illustrations above show where the OUTSIDE of the Sunken deck locate on the underside of the Raised Deck. Glue together.

Command Module Pedestal Sub-Assembly

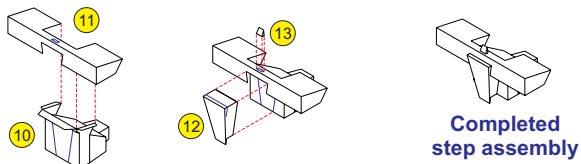


Step 4 COMMAND MODULE PEDESTAL: Cut out the Command Module Pedestal (part 6). Notice that you must use a knife to cut along each of the red lines in all of the 2 small circles of part 6 just as you did on part 3 above. Form and glue part 6 together. Cut out the Commanders Chair Support (part 7). Fold it in the middle along the red line and glue into place where indicated on top of part 6. Cut out, form, and glue the Commanders Chair Platform (part 8) into place on top of part 6. Cut out, form and glue into a ring the Commanders Chair Column (part 9). Glue it into place on top of part 8 with the seam to the rear.

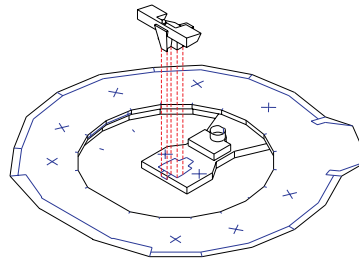
Step 5 SUNKEN DECK AND PEDESTAL: Glue the completed Command Module Pedestal sub-assembly into place onto the completed Deck sub-assembly.

1:50 Scale model design by Ron Caudillo (ronaldcaudillo@yahoo.com)

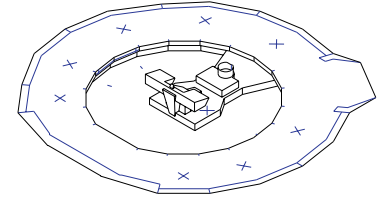
Helmsman and Navigator Station Sub-Assembly



Step 6 HELMSMAN AND NAVIGATOR STATION: Cut out, form and glue the Helmsman and Navigator Station Base (part 10) Together. Cut out, form, and glue together the Helmsman and Navigator Station Top (part 11) together. Test fit parts 10 and 11 to see how they join then glue together. Cut out, form, and glue the Helmsman and Navigator Station Front (part 12) into place onto parts 10 and 11. Cut out, form and glue the Red Alert Indicator (part 13) into place on top of part 11.

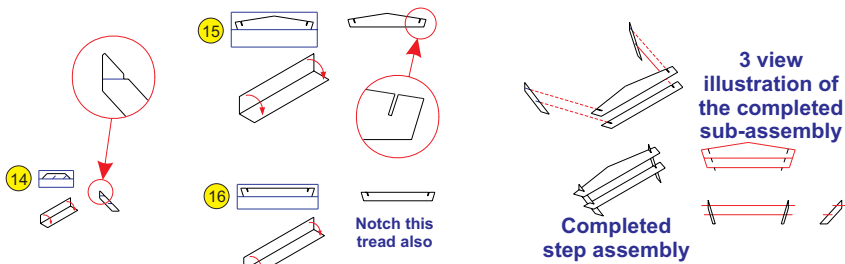


Step 7 SUNKEN DECK: Glue the completed Helmsman and Navigator Station sub-assembly into place on the Command Module Pedestal of the Deck sub-assembly.

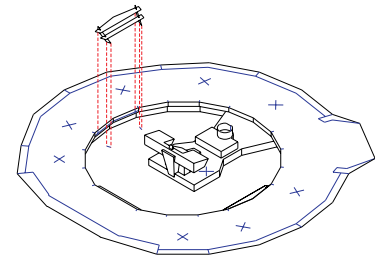


COMPLETED Sub-assembly

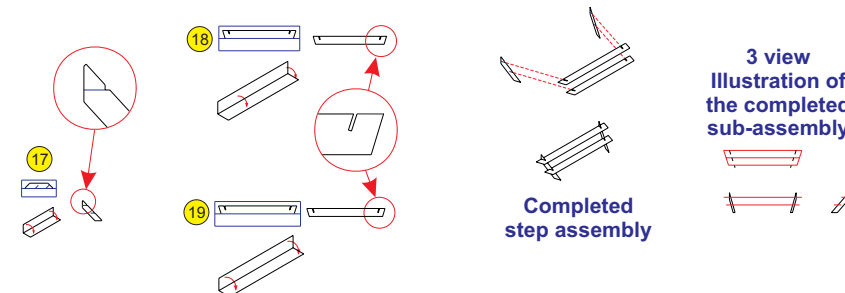
Stairs Sub-Assemblies



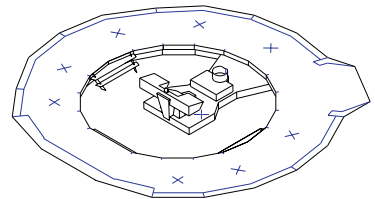
Step 8 SIDE STAIRS SUB-ASSEMBLIES: Cut out around the perimeter of the rectangle that contains the Stairs Side (part 14, 2 of them for each sub-assembly). Fold this part in half and glue it to itself with the printed sides facing out. Cut out this part and cut 2 small notches as shown in the detail above. Repeat for the other Stairs side piece. Cut out around the perimeter of the rectangle that contains the Upper Tread (part 15). Fold this part in half and glue it to itself with the printed side facing out. Cut out this part and cut out the 2 notches as shown in the detail above. Repeat this for the Lower Tread (part 16). Glue the notches of the 2 Treads into the notches of the 2 Stair Sides, using the drawings above as a guide to the appearance of the finished sub-assembly. Note that the 2 Sides are not parallel to each other but point slightly towards each other. Ensure the Upper and Lower Treads are in their proper locations and alignment. Assemble the other Side Stairs sub-assembly. Allow each sub-assembly to dry completely before continuing to the next step.



Step 10 JOINING THE STAIRS SUB-ASSEMBLIES: Test fit the Stairs sub-assemblies to see where to apply glue to hold them in place. The 2 Side Stairs sub-assemblies will be on each side of the Command Module Pedestal. The End Stairs sub-assembly will be at the front end of the Command Module Pedestal, where the Main Viewer will be located. Notice that there are white lines on the Raised Deck sides and also on the Lower Deck where the Stairs will attach. Glue each of the Stairs sub-assemblies in place.

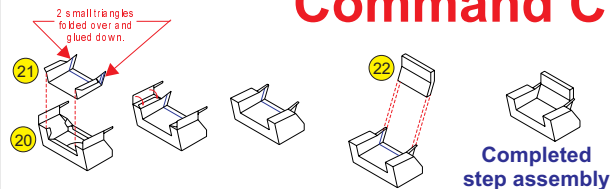


Step 9 MAIN VIEWER AREA STAIRS SUB-ASSEMBLY: Repeat the procedures from Step 8 to assemble this stair sub-assembly using parts 17 (2 of them), 18, and 19. Note that the Upper Tread (part 18) is longer than the Lower Tread (part 19).

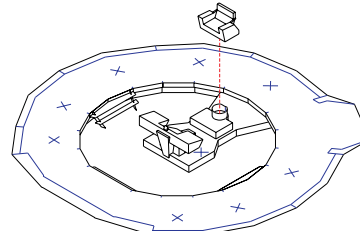


COMPLETED Sub-assembly

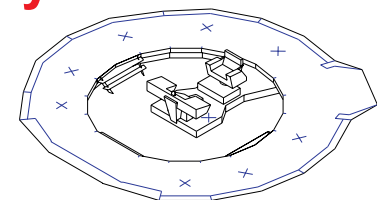
Command Chair Sub-Assembly



Step 11 COMMAND CHAIR SUB-ASSEMBLY: Cut out the Command Chair Base (part 20); be sure to cut out the white circle on the bottom. Form and glue it together to resemble the left figure above. Cut out and form the Command Chair Seat (part 21). Note that 2 small triangles on each side are folded over and glued down. Glue it onto part 20 then fold down the top of the arm rests to complete the seat base. Cut out, form, and glue the Command Chair Seat Back (part 22) together and glue into place on the seat base.

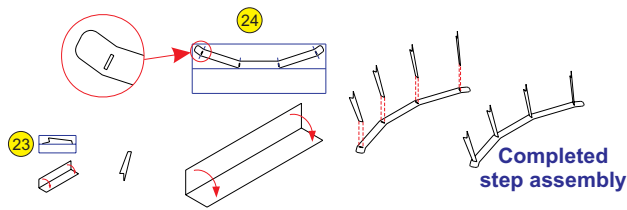


Step 12 JOINING THE COMMAND CHAIR SUB-ASSEMBLY: Glue the Command Chair sub-assembly in place on the Support Column.

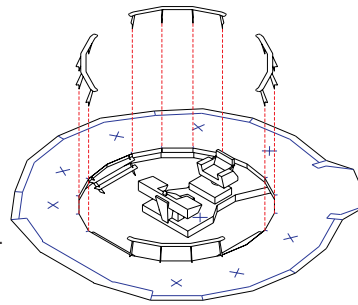


COMPLETED Sub-assembly

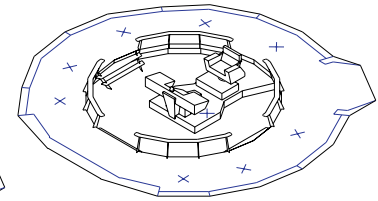
RAISED DECK RAILING Sub-Assembly



Step 13 RAILING SUB-ASSEMBLY: All Railing sub-assemblies contain the same parts. There are a total of 4 sub-assemblies. For each sub assembly: cut out around the perimeter of the rectangle that contains the Railings Post (part 23, 4 for each Railings sub-assembly). Fold this part in half and glue it to itself with the printed sides facing out. Cut out this part and repeat for the other 3 Railing Posts for this sub-assembly. Cut out around the perimeter of the rectangle that contains the Railing Top part 24). Cut out each of the 4 small rectangles as highlighted in the detail above. Fold this part in half and glue it to itself with the printed sides facing out. Be sure to clear out any glue that oozes into each of the 4 rectangular cutouts. It is easier to build this sub-assembly UPSIDE DOWN. Lay the Railing Top upside down and glue each of the 4 Railing Posts into a rectangular cutout. Be sure the Railing Posts are oriented correctly as shown above. Check to see that the Railing Posts are perpendicular to the Railing Top and parallel to each other. Assemble the other 3 Railing sub-assemblies following the steps above. Allow this sub-assembly to dry completely upside down before continuing to the next step.



Step 14 JOINING THE RAILING CHAIR SUB-ASSEMBLY: Test fit the Railing sub-assembly to see how it fits into place between the Stairs/Command Module and where to apply glue to hold them in place. All 4 sub-assemblies are identical and attach the same way. Notice that there are white lines on the Raised Deck where the Railings will attach. Glue each Railing sub-assembly in place.



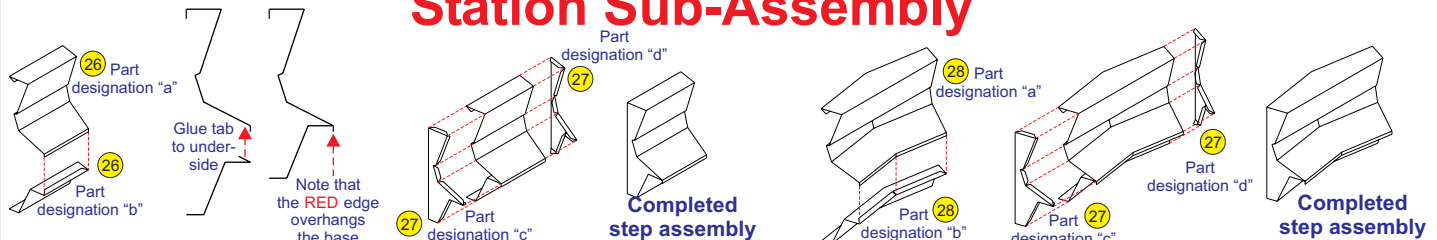
COMPLETED Sub-assembly

TURBOLIFT ENTRANCE Sub-Assembly

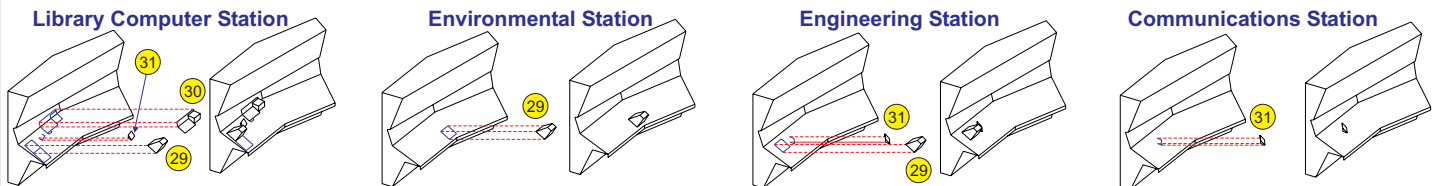


Step 15 TURBOLIFT ENTRY SUB-ASSEMBLY: Cut out, fold, and glue the Turbolift Entry (part 25) together. Refer to the illustration above for reference.

Station Sub-Assembly

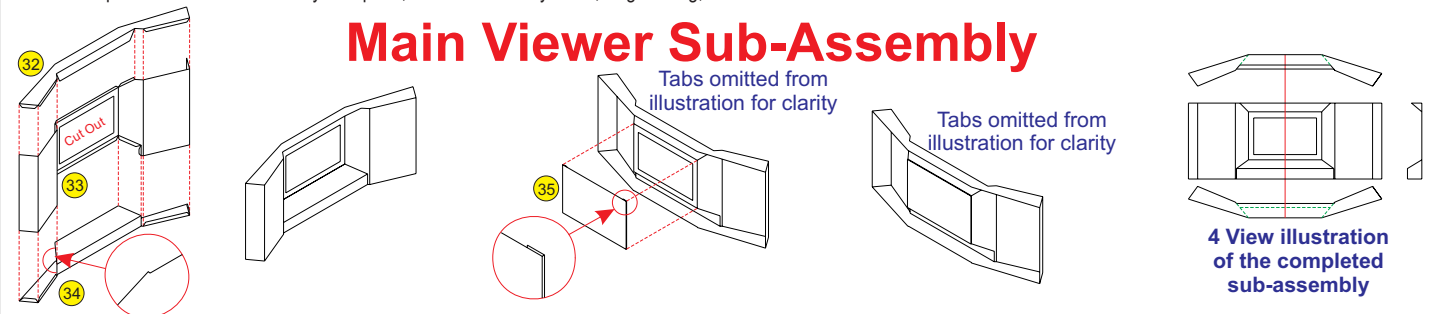


Step 16 STATION SUB-ASSEMBLY: All Station sub-assemblies have the same 4 core parts (designated a, b, c, and d) and assemble in a similar manner. In addition, each station have unique pieces designated "c" and "d". There are 2 types of Station sub-assemblies. The Defense Systems Monitor Station and the Engineering Sub-Systems Checkout Station are half the width of the other Stations (see the illustrations to the left above): the Library Computer, Communications, Weapons Sub-System Checkout, Navigation Sub-System Checkout, Engineering, and Environmental Systems Stations (see the illustrations to the right above). Assemble each station one at a time, referring to the illustrations above for part numbers. For each sub-assembly, cut out and fold the Crew Station (the "a" designated part). Make sure to fold it correctly; there are both mountain and valley folds on this piece. For the larger Stations, you will need to glue it together in the panels area. Cut out and fold the Station Base (the "b" designated part). Glue the Station and Base pieces together. Cut out and fold 2 Crew Station Side Supports (they are mirror image of each other and are the "c" and "d" designated parts). Glue each of them in place. Be sure the "c" and "d" parts **DO NOT** overhang the edges of the "a" and "B" assembly. Repeat for the other 7 Stations.



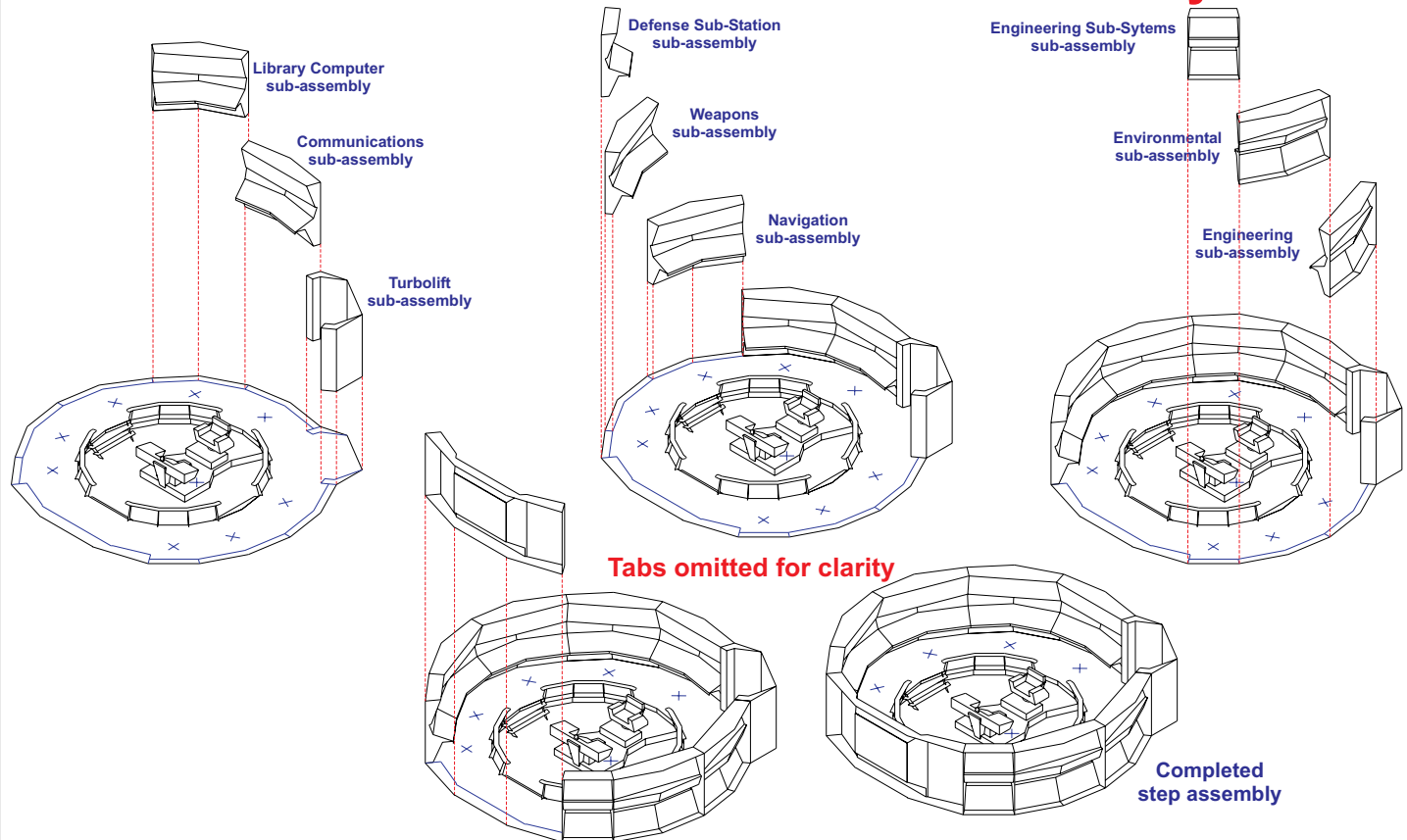
Step 17 STATION SUB-ASSEMBLY ACCESSORIES: Accessories include: Intercom, Viewer, and Computer Console. Refer to the illustrations above for placing the correct Accessories part numbers on the Library Computer, Environmental Systems, Engineering, and Communications Stations.

Main Viewer Sub-Assembly



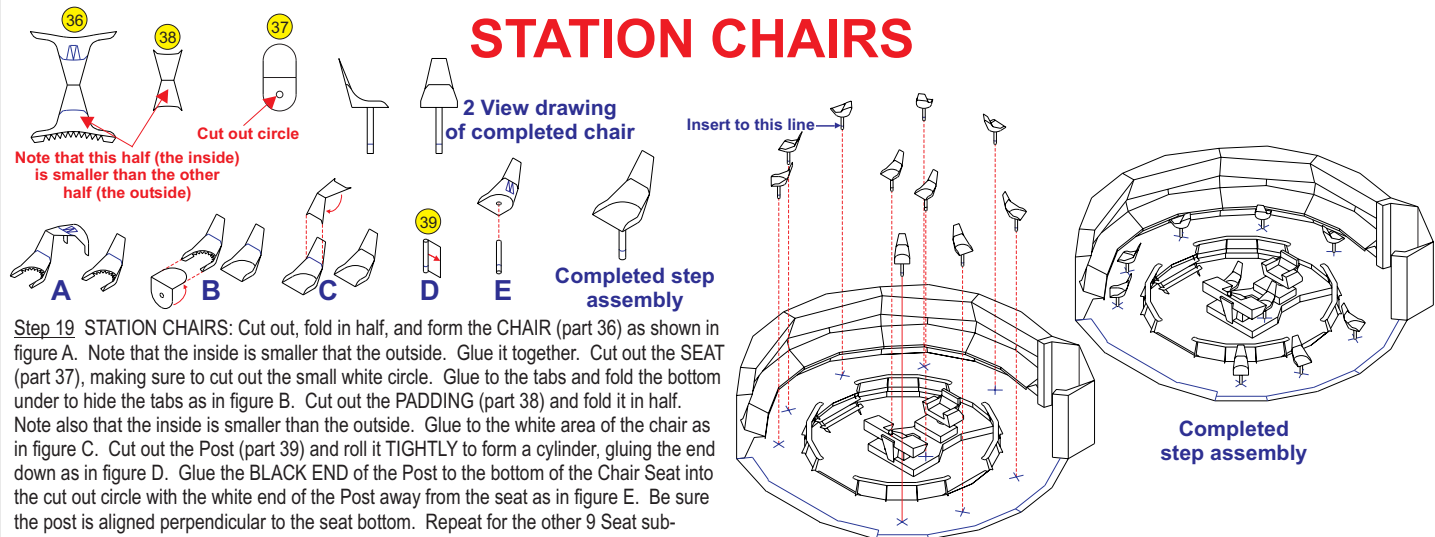
Step 18 MAIN VIEWER SUB-ASSEMBLY: Cut out parts 32, 33, and 34 of the Main Viewer. Note that on part 34 there is a slight notch that is cut out as in the illustration detail on the left. Also note that you will cut out the center rectangle of part 33. Fold each part and glue together. Cut out and fold the tab of part 35 as shown in the third illustration above. If you wrap the folded tab around a small diameter wire, you will achieve a fold that is not completely flat but will allow a piece of paper to fit inside. This opening can be used later to insert a display into the Main Viewer and customize your model. Glue this piece into place as shown using only the side fold-over tabs.

Joining the TURBOLIFT ENTRY, STATIONS, and MAIN VIEWER sub-assemblies to the DECK sub-assembly



Step 18 TURBOLIFT, STATIONS, AND MAIN VIEWER: Glue the Turbolift wall sub-assembly to the raised deck as shown above. Be careful to align the outside edges of each sub-assembly exactly to the outside edge of the raised deck. Let each sub-assembly dry for a few minutes before proceeding to the next. Glue the Communications Station sub-assembly in place. Ensuring each sub-assembly is drawn tight to the side of the adjacent sub-assembly. In turn, glue the Library Computer, Navigation, and Weapons, and Defense Sub-Station sub-assemblies into place. Glue the Engineering, Environmental, and Engineering Sub-Station sub-assemblies in place. Finish by gluing the Main Display sub-assembly in place.

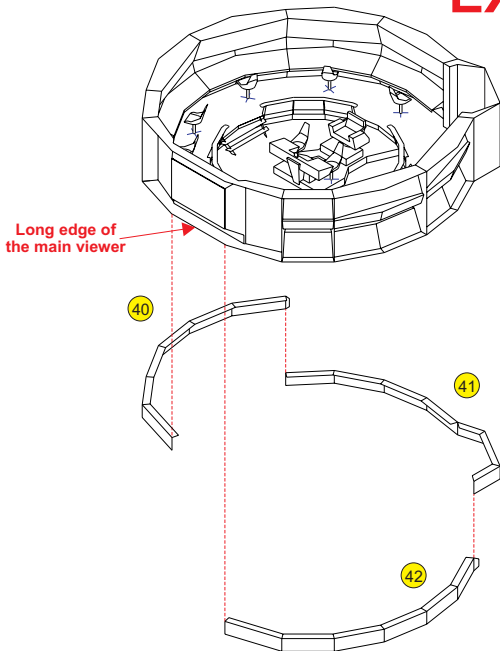
STATION CHAIRS



Step 19 STATION CHAIRS: Cut out, fold in half, and form the CHAIR (part 36) as shown in figure A. Note that the inside is smaller than the outside. Glue it together. Cut out the SEAT (part 37), making sure to cut out the small white circle. Glue to the tabs and fold the bottom under to hide the tabs as in figure B. Cut out the PADDING (part 38) and fold it in half. Note also that the inside is smaller than the outside. Glue to the white area of the chair as in figure C. Cut out the Post (part 39) and roll it TIGHTLY to form a cylinder, gluing the end down as in figure D. Glue the BLACK END of the Post to the bottom of the Chair Seat into the cut out circle with the white end of the Post away from the seat as in figure E. Be sure the post is aligned perpendicular to the seat bottom. Repeat for the other 9 Seat sub-assemblies. Let each Chair sub-assembly dry completely before continuing. Poke a toothpick into each chair location on the Deck and Command Module. Glue each Chair sub-assembly into place, facing its designated station. Verify the Chair Posts are vertical.

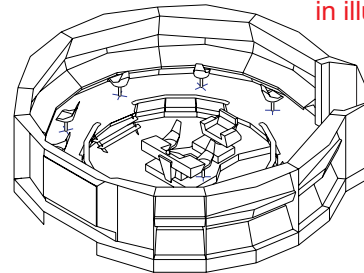
Main Viewer and 3 Stations omitted for clarity

EXTERIOR WRAP



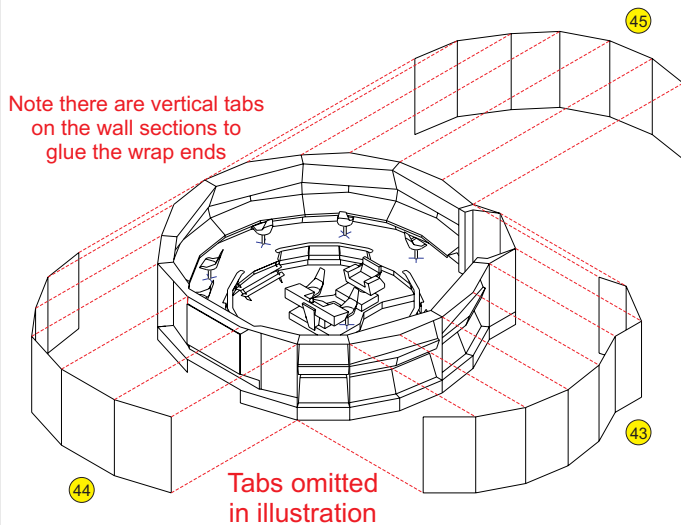
Tabs omitted
in illustration

Tabs omitted
in illustration



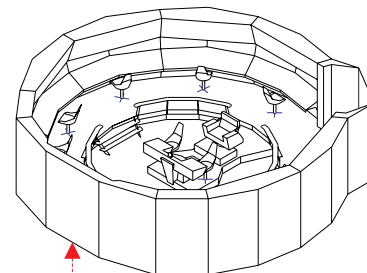
Completed
step assembly

Step 21 DECK EDGE SUPPORT: Cut out and form the 3 sections of the Deck Edge Support (parts 40, 41, and 42). With part 40, glue it under the raised deck starting at the long edge of the main viewer as shown in the illustration above. Glue part 41 to the end of part 40 and glue it under the raised deck. Glue part 42 in the same manner, ending at the other end of the long edge of the main viewer.



Step 21 OUTSIDE WRAP: Cut out and fold the 3 pieces (parts 43, 44, and 45) that form the wrap. Note that the location of the various sections that form the wrap have its location printed beneath it. Note also that on the model exterior, there are vertical tabs provided to join the ends of the wrap pieces. Glue one end of part 43 to the appropriate vertical tab. Glue each section to the top of the model and then glue the bottom of the section to the deck edge support. Continue to glue the wrap piece around the model in this manner and glue the last section to the vertical tab provided to finish the wrap piece. Continue this process for the remaining 2 wrap pieces, making sure to align the art and text.

ADDITIONAL MAIN VIEWER DISPLAYS



MAIN VIEWER SCREEN (OPTIONAL): From the separate Main Viewer Display sheets, cut out the desired Display and fold across the bottom. This will make it easier to replace with another display and allow you to customize your model as you desire.

**THE BRIDGE MODEL
IS NOW COMPLETED**